

Model M-1 Specifications

Cleaning Path

Carpet	12 in (30 cm) and 16 in (41 cm)
Hard Floor	14 in (36 cm) and 18 in (46 cm)

Vacuum Motor

Type	Single-stage, bypass cooled by separate fan	
Fan	8 in (20 cm) cast aluminum	
Voltage	120V, 60 Hz	
HP	1.5	
RPM	10,000 (avg)	
Amps	12	
Avg Motor Life	12,000 hours	

CFM & Waterlift

CFM	Waterlift
0.75 in Orifice	40.8 (1.16 m ³) 28 in (71 cm)
1 in Orifice	66.3 (1.88 m ³) 24 in (61 cm)
1.25 in Orifice	93 (2.63 m ³) 19.5 in (49 cm)
1.5 in Orifice	117 (3.31 m ³) 15 in (38 cm)
2 in Orifice	146 (4.13 m ³) 7.5 in (19 cm)

Filtration

Location	External
Type	Universal (disposable bag available)
Capacity	48 quarts dry (52.8 L)
Filter Area	1,200 sq in (0.8 sq m)

Switches & Controls

On/off toggle

Cord

35 ft (10.7 m) 16-3 ST

Construction

Body	Cast Aluminum
Casters	Two ball bearing, 3 in swivel
Wheels	Two rear-mounted, 6 in fixed

Sound Level

69 dBA at operator

Dimensions

Height	32 in (81 cm) top of bag rod
Length	16.5 in (42 cm)
Width	12 in (30.5 cm)

Weight

Machine	35 lbs (16 kg)
Shipping	42 lbs (19 kg)

Machine & Accessories 58 lbs (26 kg)

Shipping Class

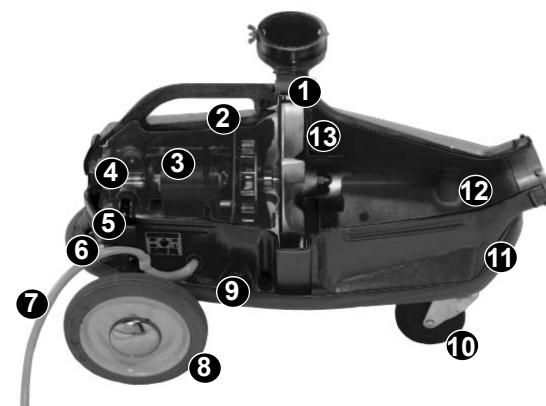
85

Warranty

7 years, 10 years on NSS tools

Productivity (per hour)

18 in Hard Floor Tool	7,292 sq ft (677 sq m)
14 in Hard Floor Tool	6,826 sq ft (634 sq m)
16 in Carpet Tool	7,059 sq ft (656 sq m)
12 in Carpet Tool	6,593 sq ft (613 sq m)



- Heat-treated, cast aluminum fan hood resists sand abrasion for longer life.
- Bypass-cooled design for cleaner, longer-running motor.
- Powerful 1.5 HP motor lasts up to 24 times longer than upright motors.
- Bearings mounted in separate steel housing for longer bearing life.
- Carbon brushes last up to 2500 hours and are easily changed on location.
- Cord attached to frame to prevent pullout.
- 35' safety-yellow power cord.
- Sleeve-type rear wheels for effortless transport.
- On/off switch securely mounted on machine frame.
- Swivel casters for easy maneuverability.
- Cast aluminum housings for durability.
- Safety "scrap trap" catches heavier debris, protects fan for extended service life.
- Solid, cast aluminum, oversized 8" fan creates powerful suction.



DISTRIBUTED BY

Printed in USA

©2009 NSS Enterprises, Inc. #9091011 REV D 5/09



Model M-1 "Pig"

Portable Vacuum Cleaner



The Model M-1 "Pig"® is the powerhouse vacuum from NSS® that leaves uprights in the dust. Loyal users call it the "Pig" because it loves dirt. Smart maintenance professionals use the "Pig" because it's the longest-lasting, most versatile portable vacuum ever made.

- This is one vacuum that does it all—hard floors, carpet, furniture, fixtures, and drapes.
- With incredible suction and a lightweight wand, the "Pig" reaches up to 25 ft. overhead to clean areas other vacuums can't—vents, beams, and even ceilings and skylights. Gone are the safety risks and exposure to insurance claims associated with using a ladder.
- Machined from high quality materials and warranted for 7 years, the M-1 pays for itself quickly through low maintenance and repairs.
- The large capacity, 48 quart dry filter bag permits extended use.
- Available with a wide variety of tools, wands and hoses, the Model M-1 "Pig" is the most versatile vacuum you'll find anywhere.

NSS® Enterprises, Inc.
3115 Frenchmens Road
Toledo, Ohio 43607-2958
USA
www.nss.com



Printed on Green Seal® certified paper that contains 30% recycled post-consumer fiber.



NSS Enterprises, Inc.
3115 Frenchmens Road
Toledo, OH 43607-2958
USA

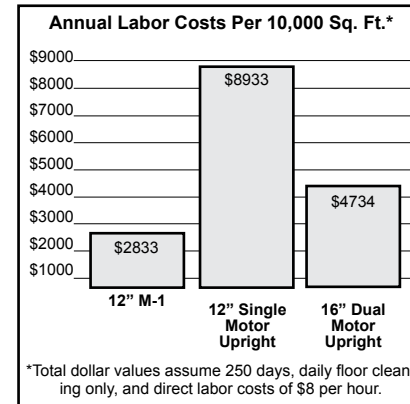
P: (800) 677-1663
F: (419) 531-3761

mailto:nss.com
www.nss.com
Specifications subject to change without notice.

Productivity

The Model M-1 cleans better and faster than uprights and makes your cleaning crew faster, too. Your users not only spend less time on the job, they get more work done. That's because the "Pig"® is easier to use and minimizes operator fatigue. Model M-1's 4 lb. wand is less than half the weight per stroke of even the smallest upright.

The "Pig" uses an oversized, heavy-duty cast-aluminum fan to produce up to 50% more suction than typical uprights (up to 146 CFM for the "Pig" compared to less than 100 CFM for typical uprights). And with its exclusive "scrap trap," the M-1 will gobble up coins, paper clips, nuts, and bolts better than any upright.



Versatility

The "Pig" is ideally suited for locations where furniture and fixtures are prominent, such as schools and universities, office buildings, and retail stores.

With a vast array of tools and attachments, the Model M-1 cleans virtually anything, anywhere. Try the "Pig" on any area you normally clean—or currently can't clean because of upright vacuum limitations. Lightweight wands and tools allow the "Pig" to clean those hard-to-reach locations, and clean them easier and faster. Uprights can't come close.

Wand extensions and dusting tools make the Model M-1 excellent at above-the-floor cleaning. Tasks up to 25 feet overhead can easily be accomplished while standing on the ground—no need to get up on a ladder. That's safer, which reduces the risk of on-the-job injuries, something your insurance company will like.

The "Pig" saves time around electrical cords and computer cables. It moves safely over the 'electric spaghetti' in and around desks and offices, with no danger of damage from entangling cables and cords around a beater bar.

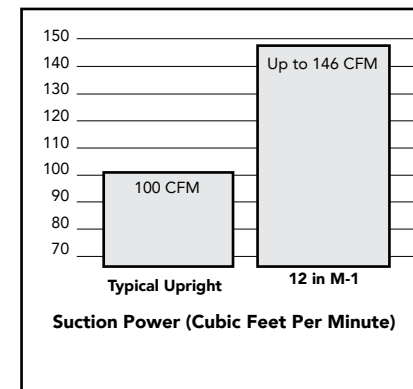
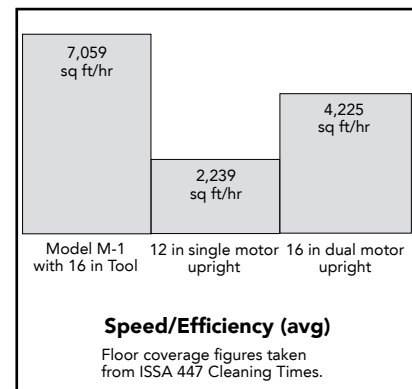


Capacity

The "Pig's" giant, top-fill filter bag holds up to five times more than a standard upright. That keeps it on the job longer. And the zipper opening makes it easy to empty.

Durability

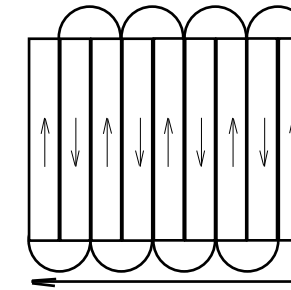
The M-1 "Pig" is built smart, with a motor that lasts up to 24 times longer than ordinary upright motors and has fewer parts to replace. The 12,000 hour Model M-1 motor is specifically designed for continuous-duty commercial cleaning and extra long service life. The "Pig," through its design and construction, minimizes down time—no belt changes ever!



Stroke Patterns For Maximum Productivity

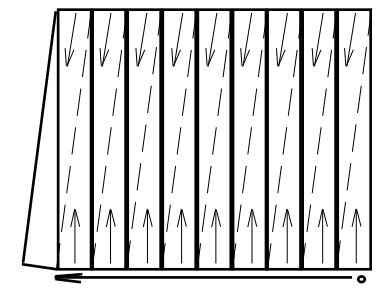
Not only is the vacuum you choose important, but how you operate that equipment is important as well.

For maximum coverage with minimum effort, refer to the stroke pattern charts at right. The Model M-1 is equally well-suited for both hard and carpeted floors. It lets you work smarter, not harder.



Hard Floors

The round stroke is the proper vacuuming technique for hard floors. You'll achieve 100% coverage with a fast, efficient, single-pass method.



Carpet

The diagonal stroke is the proper pattern for carpeting. It provides 200% coverage needed to remove imbedded soil while minimizing time and effort.

Economy

Over time, the ownership costs of uprights really add up. The purchase price is only the first of your expenses. You'll also be faced with the cost of repairs, maintenance, downtime, and all-too-frequent purchases of replacement vacuums.

With the Model M-1 "Pig," you'll save money. The "Pig" is engineered to high NSS standards and constructed of quality materials. It requires substantially fewer repairs, and has a much longer service life than uprights. The "Pig" is more economical than uprights because it is built to work, year after year. That's why we give it a 7-year warranty.

Tools That Last

We have a great deal of confidence in our tools. That's why the tools manufactured at NSS carry a 10-year warranty.

You only have to pick up an NSS tool—feel the heft of it in your hands—to understand why customers tell us that we make the most durable, high-quality tools available. Brass fittings and connectors, cast aluminum bodies, and special uniflow design are the components of NSS tools that last.

#3093909

Deluxe Dry Carpet and Overhead Cleaning

Kit:

- 3097009 12" Lint Lifter Carpet Tool
- 2595101 1½" x 10' Hose
- 3092311 28" Crevice Tool
- 3091989 7" Shelf Brush
- 2291109 Hi-Up Extension Tube Kit
- 2290409 Aluminum Wand
- 3091859 3" Round Dusting Brush
- 2291211 5" Aluminum Connector



#3093759

Dry Pick-Up Carpet and Dusting Kit:

- 2595101 1½" x 10' SuperFlex Hose
- 2290409 Aluminum Wand
- 3091079 12" Carpet Tool w/ Milled Manganese Shoe
- 3092281 12" Plastic Crevice Tool
- 3091859 3" Round Dusting Brush
- 2291211 5" Aluminum Connector



#3093619

Basic Carpet Kit:

- 3097079 12" Plain Shod Shoe
- 2595101 1½" x 10' Hose
- 2290409 Aluminum Wand



#3093959

Deluxe Chapel Cleaning Kit:

- 2290409 Aluminum Wand
- 2291119 5' Extension Tube w/ sleeve
- 2291129 5' Extension Tube w/ elbow
- 2291211 5" Aluminum Connector
- 2595101 1½" x 10' SuperFlex Hose
- 3090209 7" Upholstery Tool
- 3091769 9" Wall Brush
- 3092311 28" Crevice Tool — Plastic
- 3091859 3" Round Dusting Brush
- 3097109 16" Lint Lifter Tool

